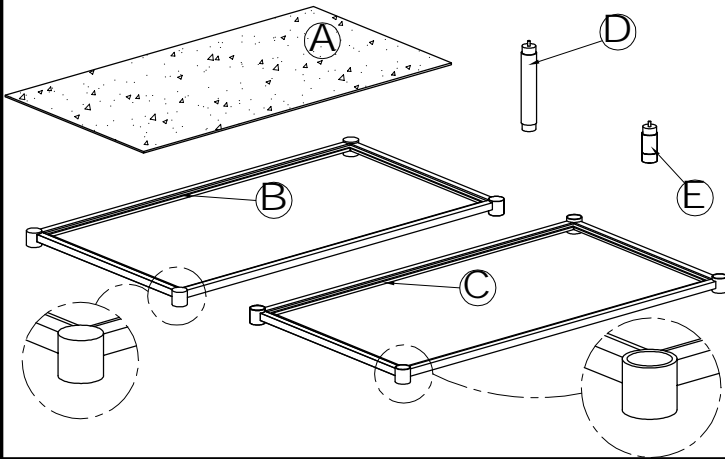


# ASSEMBLY INSTRUCTIONS NOUVEAU COFFEE TABLE



## PARTS CHECK LIST

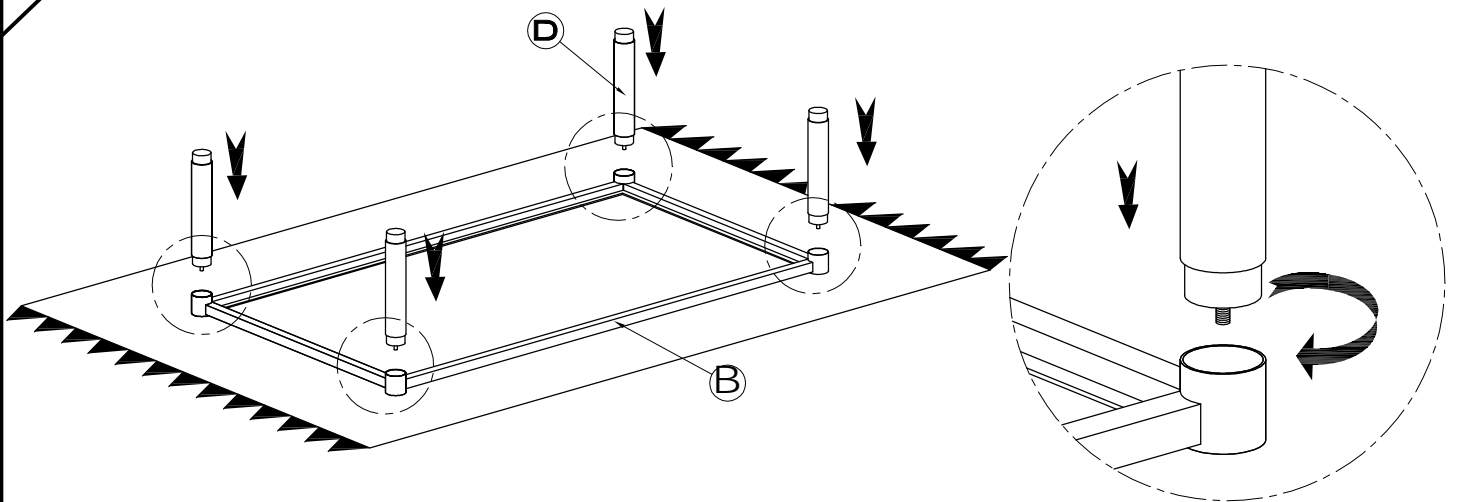
| CODE | COMPONENTS         | QTY |
|------|--------------------|-----|
| (A)  | GLASS              | X02 |
| (B)  | TOP FRAME METAL    | X01 |
| (C)  | BOTTOM FRAME METAL | X01 |
| (D)  | LONG LEG           | X04 |
| (E)  | SHORT LEG          | X04 |

## HARDWARE CHECK LIST

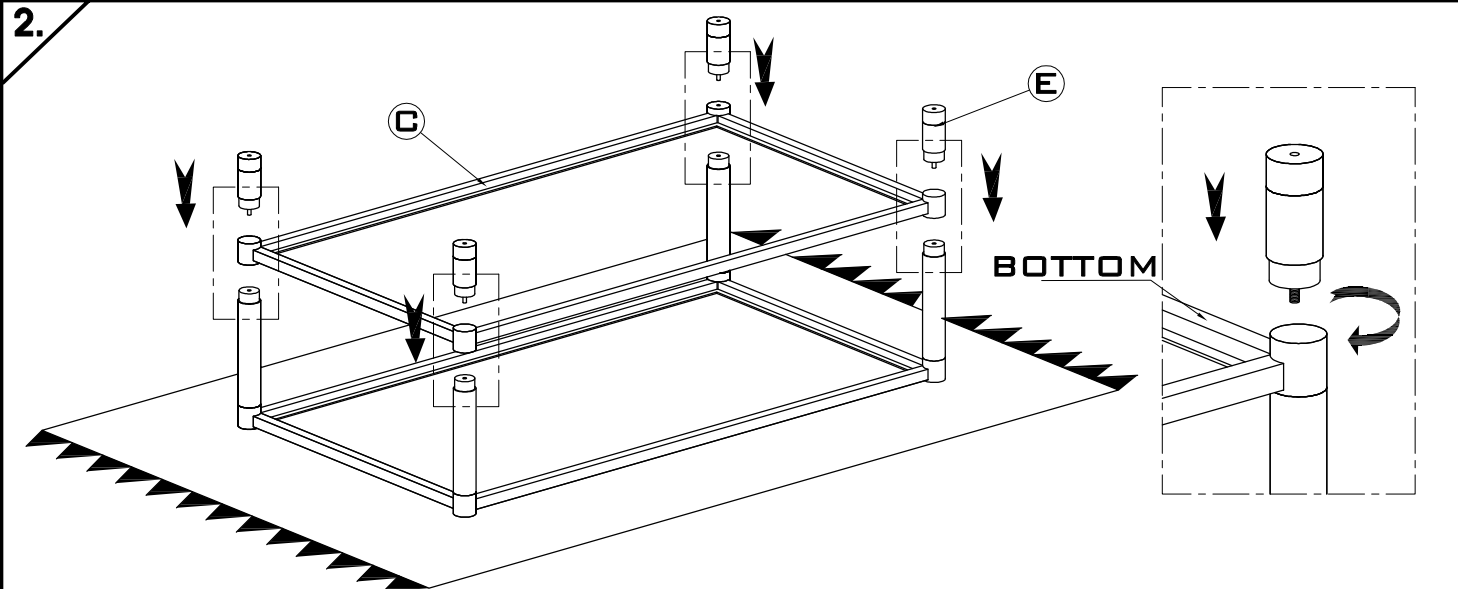
| CODE | DESCRIPTION      | QTY |
|------|------------------|-----|
| 01   | GLASS BUMPER PAD | X20 |

- PLEASE DO NOT DISCARD ANY OF THE PACKAGING UNTIL YOU HAVE CHECKED ALL THE PARTS AND THE PACKS OF HARDWARE.
- BEFORE YOU BEGIN TO ASSEMBLE YOUR NEW PIECE OF FURNITURE, PLEASE CHECK TO ENSURE THAT ALL PARTS HAVE BEEN SUPPLIED.
- FOLLOW INSTRUCTIONS CLOSELY AS DEVIATION FROM THEM MAY VOID YOUR WARRANTY AND PRESENT A POSSIBLE SAFETY RISK.
- IT IS RECOMMENDED THAT ASSEMBLY IS DONE ON A SOFT SURFACE LIKE CARPET TO AVOID ANY DAMAGE.
- PERIODICALLY CHECK AND RE-TIGHTEN ANY FASTENERS. WIPE DOWN ALL SURFACES WEEKLY WITH A CLEAN CLOTH. DO NOT CLEAN ANY SURFACES WITH HARSH ABRASIVES OR CHEMICALS.

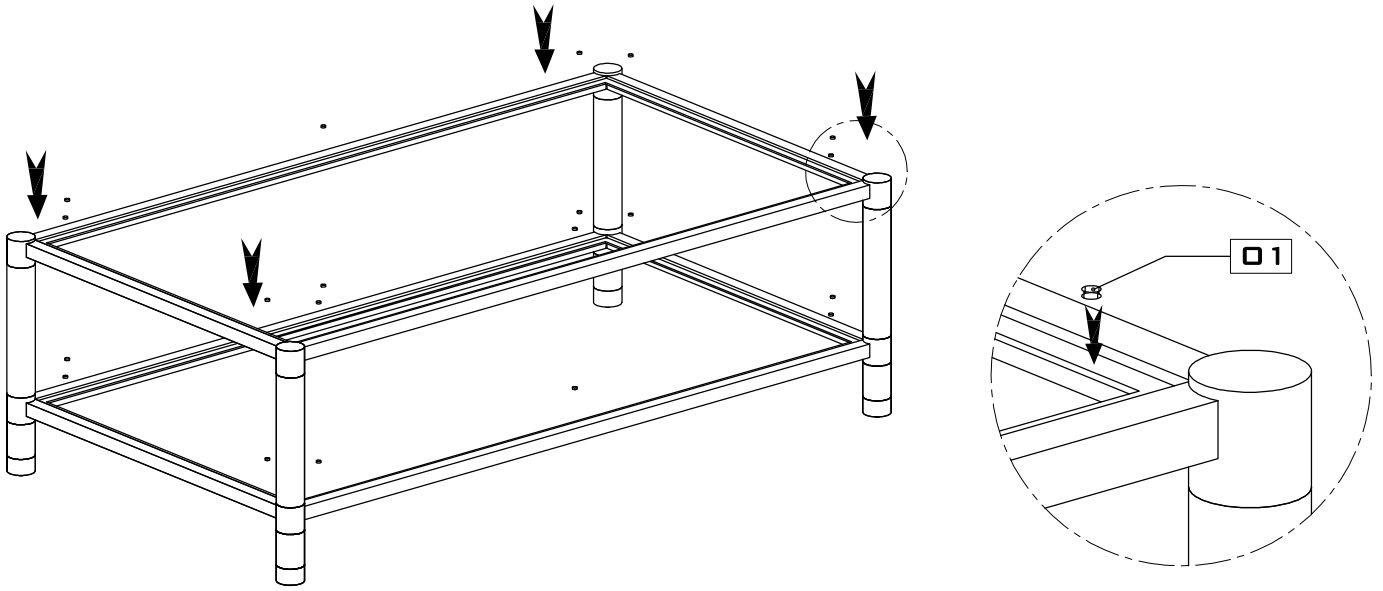
1.



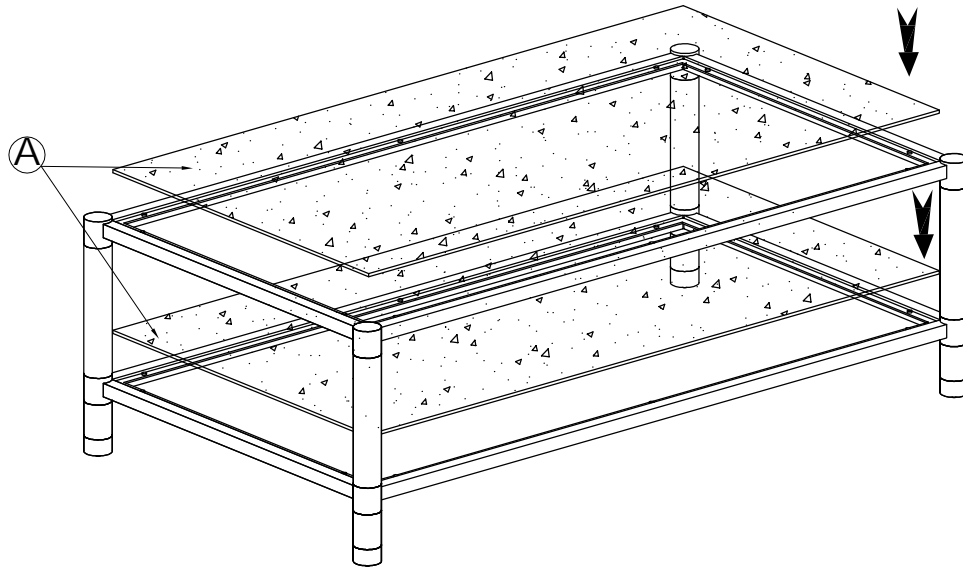
2.



3.



4.



5.

